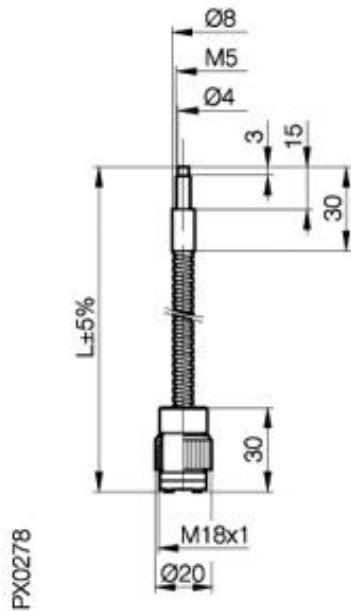


Accessories: Fiberoptic BFO 18A-XAA-MZG-30-



Common Data

Version	Fiberoptic straight
Usable with	In combination with diffuse sensors M18
Ambient temperature	-20°C...+170°C
Sensing range	Diffuse 20mm/ Refl. 500mm

Mechanical Data

Measurements WxHxD or Dia x D	M18
Material	Glass, Corrugated metal jacket with clamp D=8mm
Mounting	
Diameter of glass fiber bundle	3
Max. pull force on cable	80
Least bending radius	60

Datasheet number::

Definitions see general catalog.
If not otherwise noted, ratings according to IEC 60947-5-2 (DIN EN60947-5-2)

Balluff GmbH
Schurwaldstrasse 9
73765 Neuhausen a.d.F.
Phone (07158) 173-0 Fax (07158) 5010

Datenblatt by CD-ROM - 04/2007

BALLUFF
sensors worldwide